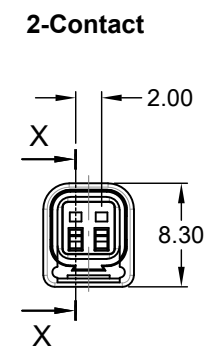
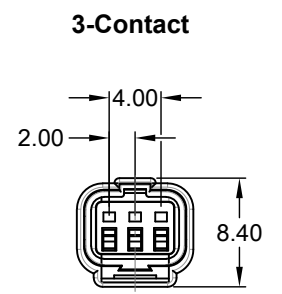
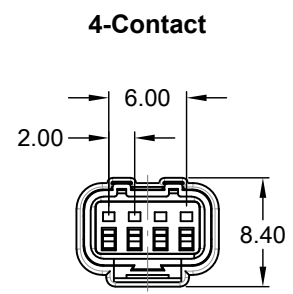
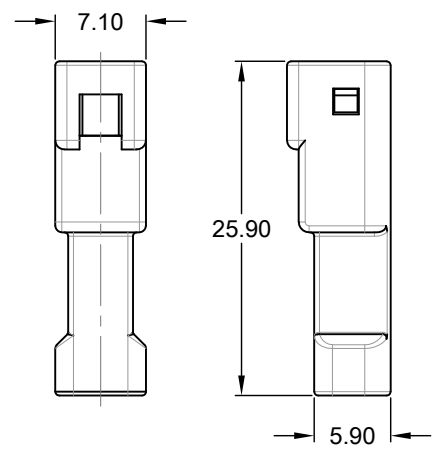
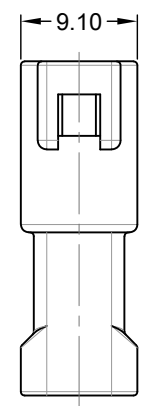
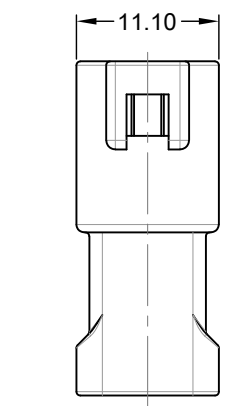
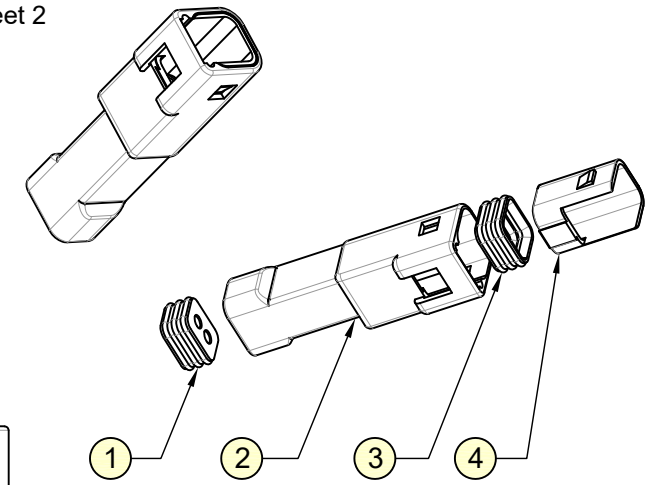


REV.	DESCRIPTION	DATE	DRAWN
A	New	30.11.2021	Cheng
B	correct dimension 9.1->9.9, 11.1->11.0	01.11.2022	Cherry



6 & 8-Contact
See sheet 2



Order Code
WWP-xxx-67-09-T/2

- No. of Contacts
- 002**
 - 003**
 - 004**
 - 006 & 008 (See sheet 2)

load with contact:
[WWP-999/26-99-T](#)

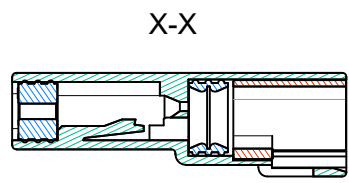
mate with Female Housing:
[WWR-xxx-67-09-T/2](#)



Specifications

Electrical
 Current rating: 3A AC/DC per contact
 Insulation resistance: 1000MΩ min.
 Voltage rating: 100V AC/DC
 Withstanding voltage: 1000V AC

Mechanical Requirements
 Waterproof grade: IPX7 of IEC 60529
 Operating temperature: -25°C to +85°C



Item	Part Name	Materials / Finish(Color)	Q'TY
1	Gasket Plug	Silicone / Light Blue	1
2	Body	PBT + 15%GF / White	1
3	Gasket Ring	Silicone / Blue	1
4	Cover	PBT + 15%GF / Orange	1

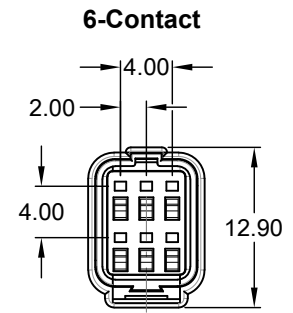
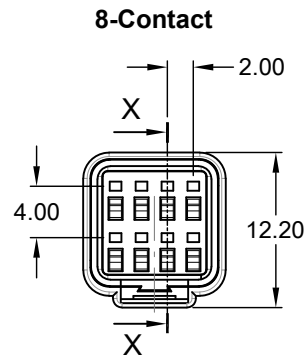
E-tec 2022 © - all rights reserved www.e-tec.asia



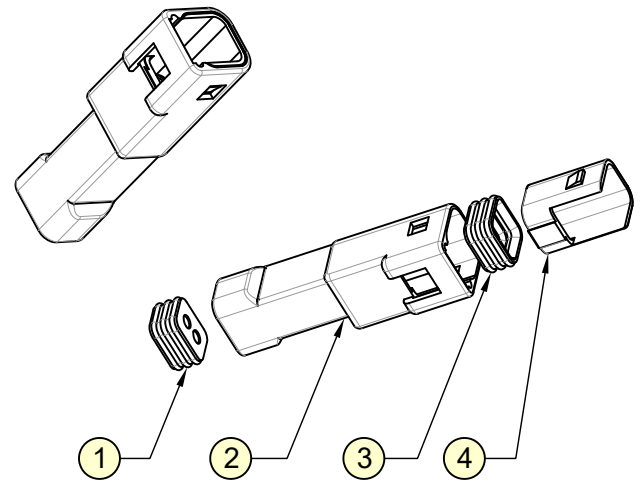
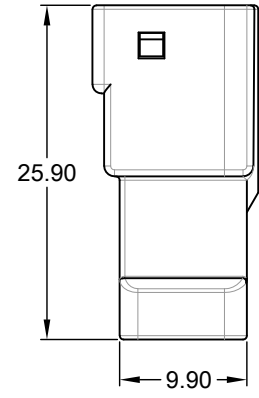
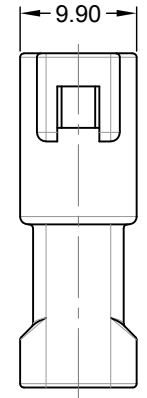
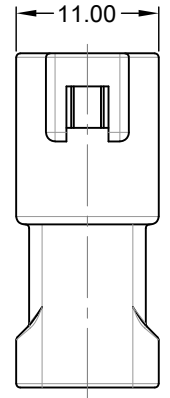
UNIT	mm	GENERAL TOLERANCE		DRAWN	DATE	DWG. NO.	SHEET 1/3
SCALE	Free	X.° ±	X. ±	Cheng	01.12.2021	WWP-67-09-T/2	REV. B
		.XX° ±	.X ±	Ronny	01.11.2022	SERIES NO.	
		.XXX° ±	.XXX ± 0.20	Fagi	01.11.2022	WWP-xxx-67-09-T/2	

Wire to Wire Connector
2/3/4-Contact Male Housing
2.00mm Pitch - Waterproof

REV.	DESCRIPTION	DATE	DRAWN
A	New	30.11.2021	Cheng
B	correct dim. 6P: 9.1->9.9, 8P: 11.1->11.0	01.11.2022	Chery



2, 3 & 4-Contact
See sheet 1



Order Code
WWP-xxx-67-09-T/2

No. of Contacts
002 to 004 (See sheet 1)
006
008

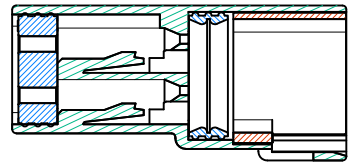
load with contact:
[WWP-999/26-99-T](#)
mate with Female Housing:
[WWR-xxx-67-09-T/2](#)

Specifications

Electrical
Current rating: 3A AC/DC per contact
Insulation resistance: 1000MΩ min.
Voltage rating: 100V AC/DC
Withstanding voltage: 1000V AC

Mechanical Requirements
Waterproof grade: IPX7 of IEC 60529
Operating temperature: -25°C to 85°C

X-X



Item	Part Name	Materials / Finish(Color)	Q'TY
1	Gasket Plug	Silicone / Light Blue	1
2	Body	PBT + 15%GF / White	1
3	Gasket Ring	Silicone / Blue	1
4	Cover	PBT + 15%GF / Orange	1

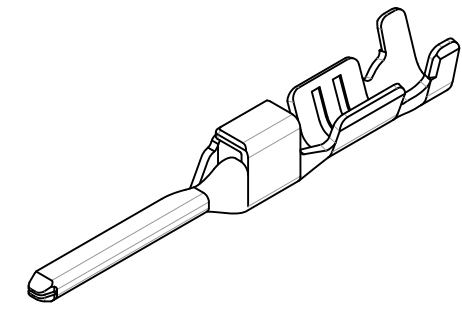
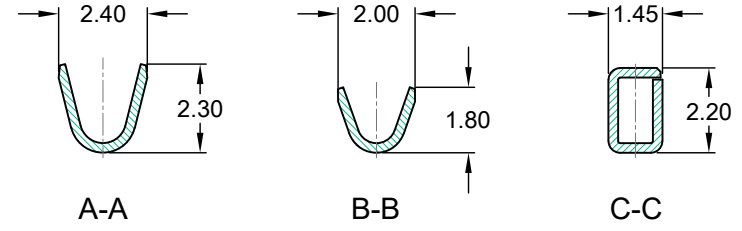
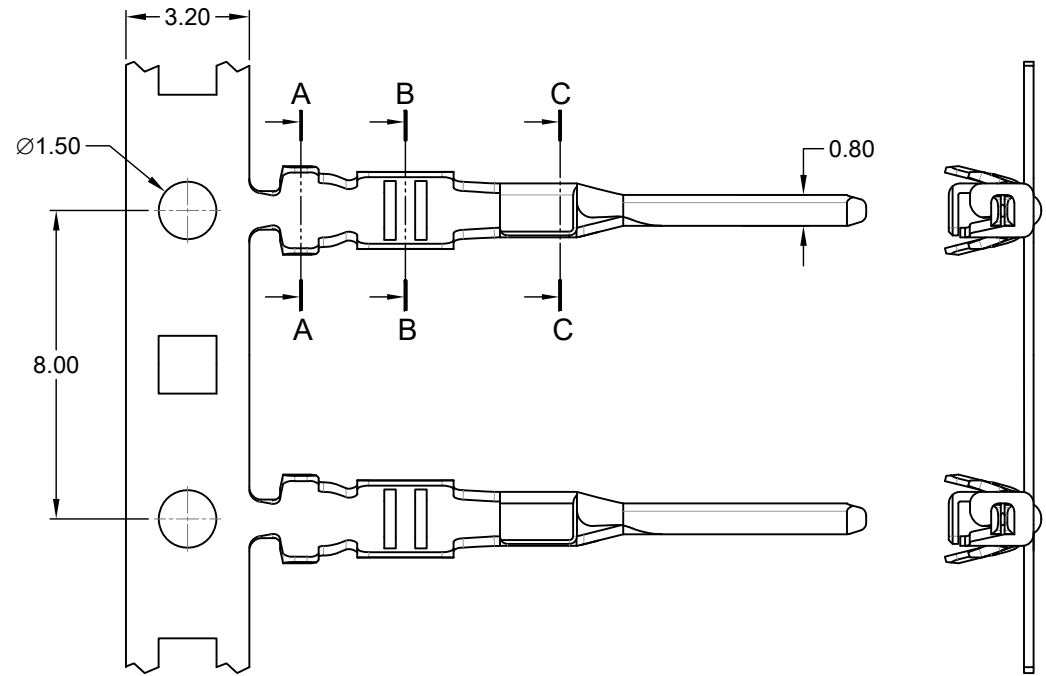
E-tec 2022 © - all rights reserved www.e-tec.asia



UNIT	mm	GENERAL TOLERANCE		DRAWN	DATE	DWG. NO.	SHEET 2/3
SCALE	Free	X.° ±	X. ±	Cheng	30.11.2021	WWP-67-09-T/2	REV. B
		.XX° ±	.X ±	Ronny	01.11.2022	SERIES NO.	
		.XXX° ±	.XXX ± 0.20	Fagi	01.11.2022	WWP-xxx-67-09-T/2	

Wire to Wire Connector
6 & 8-Contact Male Housing
2.00mm Pitch - Waterproof

REV.	DESCRIPTION	DATE	DRAWN
A	New	01.12.2021	Cheng
B	general update	01.11.2022	Cherry



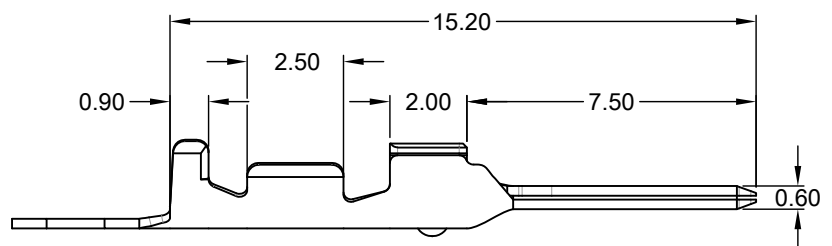
Order Code
WWP-999/26-99-T



Specifications

Electrical
 Current rating: 3A AC/DC(AWG #22)
 Insulation resistance: 1000M Ω min.
 Contact resistance: Initial value 10m Ω max.
 After environmental testing 20m Ω max.
 Voltage rating: 100V AC/DC
 Withstanding voltage: 1000V AC/ Minute

Material
 Contact: Phosphor Bronze t=0.25mm
 Plating: Sn over Ni
 Operating temperature: -25°C to +85°C
 Accept wire range: AWG #22-#26
Packing
 Reel: 10,000 pcs./reel



E-tec 2022 © - all rights reserved www.e-tec.asia



UNIT	mm	GENERAL TOLERANCE		DRAWN	DATE	DWG. NO.	SHEET 3/3
SCALE	Free	X.° ±	X. ±	Cheng	01.12.2021	WWP-999/26-99-T	REV. B
		.X° ±	.X ±	Ronny	01.11.2022	SERIES NO.	
		.XX° ±	.XX ± 0.20	Fagi	01.11.2022	WWP-999/26-xx-T	
		.XXX° ±	.XXX ±				

Male Crimp Contact
 Load in Housing
WWP-xxx-67-09-T/2