

# SM Series - SIMM Sockets

1,27mm pitch



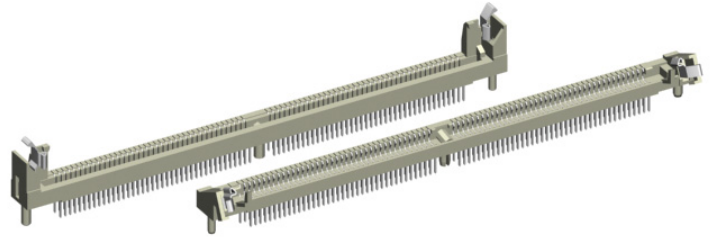
SIMM sockets are made of hi-temp resistant LCP.

Single row types are available in vertical and slanted version ( 26°).

Insertion & extraction of the module can be made without any tools.

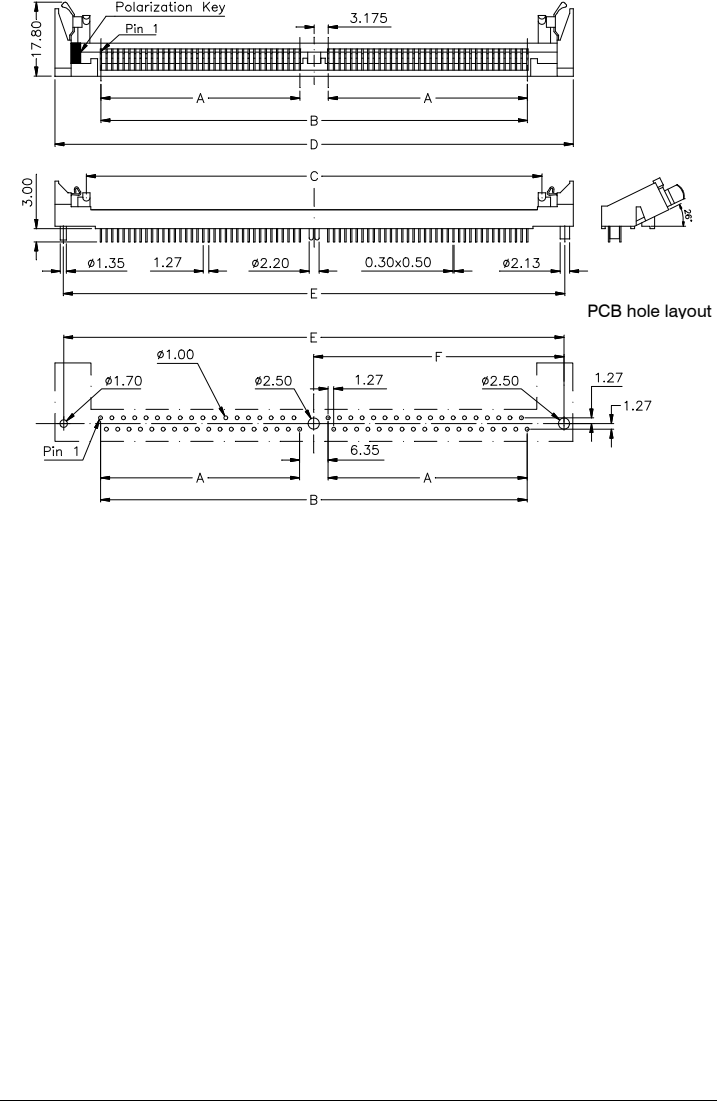
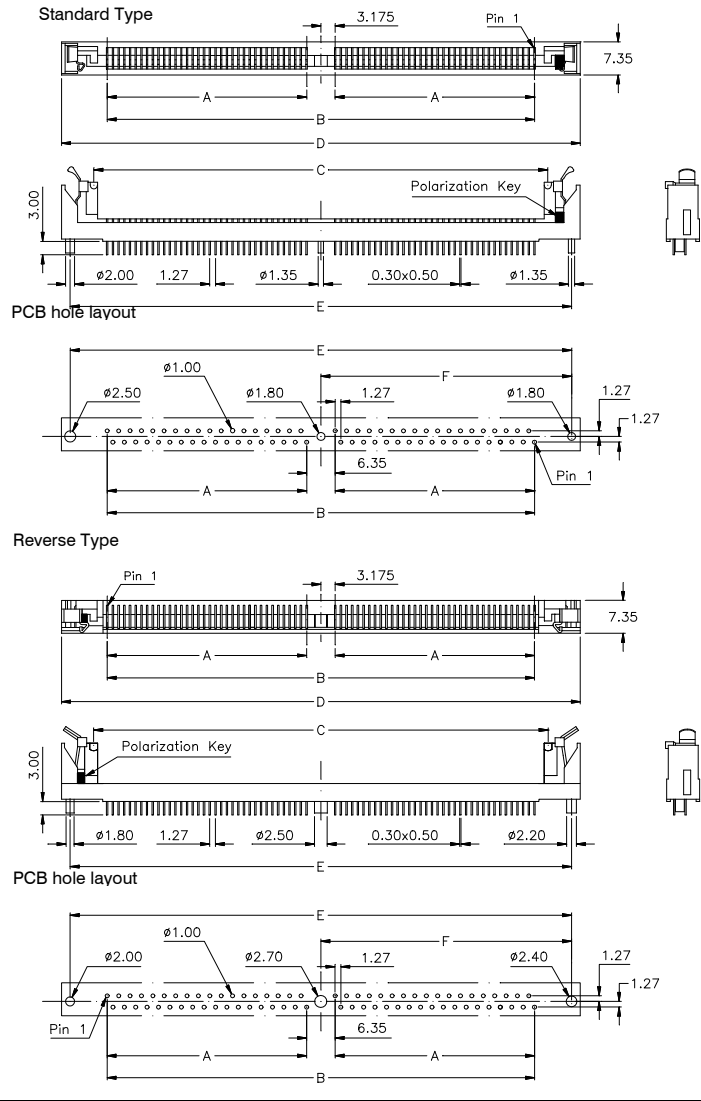
Positive polarization prevents wrong insertion of the module.

Contacts are designed with an anti-overstress feature.



## Single row - vertical

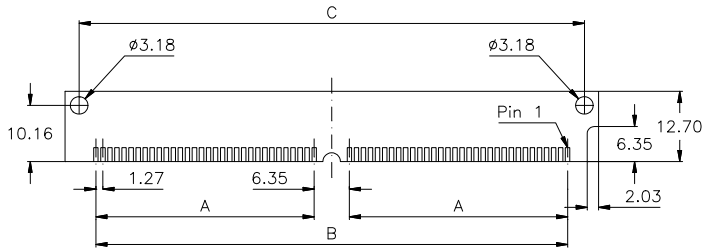
## Single row - 26° slanted



### Specifications

Current rating	: 1 A max., 100V
Contact resistance	: 30 mΩ max.
Breakdown voltage	: 1,5 KV RMS max.
Insulation resistance	: 10 <sup>4</sup> MΩ min.
Capacitance	: 2 pF max.
Contact force	: 2 N min. (Module: 1.19mm to 1.37mm thick)
Operating temperature	: -55 °C to + 150 °C min.
Insulator (RoHS compliant)	: high temp plastic (ivory) UL 94 V-0
Contact (RoHS compliant)	: Phosphor Bronze
Plating	: Sn (leadfree) over Ni

### Dimensions for 1,27mm pitch SIMM Modules



Pin	Execution	Ordering Code		Dimensions mm					
		Standard Type	Reverse Type	"A" +/- 0.15	"B" +/- 0.15	"C" +0.60 / - 0.30	"D" +/- 0.30	"E" +/- 0.25	"F" +/- 0.25
72	vertical	<b>SM1 - 072 - TV99 - 99 / 1M</b>	<b>SM1 - 072 - TV99 - 99 / 1MR</b>	44,45	95,25	101,20	115,45	111,56	55,78
80	vertical	<b>SM1 - 080 - TV99 - 99 / 1M</b>	<b>SM1 - 080 - TV99 - 99 / 1MR</b>	49,53	105,40	111,35	125,75	121,80	60,90
72	26° slanted	<b>SM1 - 072 - TS99 - 99 / 1M</b>		44,45	95,25	101,20	115,45	111,56	55,78
80	26° slanted	<b>SM1 - 080 - TS99 - 99 / 1M</b>		49,53	105,40	111,35	125,75	121,80	60,90